

Rugged Type

Pneumatic Score Knifeholder

MT-A170

MT-A170 Rugged type knifeholder is designed for crush slitting and heritage of the excellent pneumatic score knife-holder serial. It features 6061 aluminum alloy body with advantage of high strength to extend usage lifetime and is equipped with 100mm slitting blade significantly to improve slitting speed and stability for versatile heavy thickness material application such as rubber, paper, non woven ,cloth, plastic film etc.

Compared with standard knife-holder it has more space to clear slitting dust due to material which non-woven will produce a lot of dust while slitting.

» Feature

- Min slitting width 19mm
- 6061 aluminum alloy knifeholder
- Stable down force provide
- Dust remove easily
- Screw type fix method

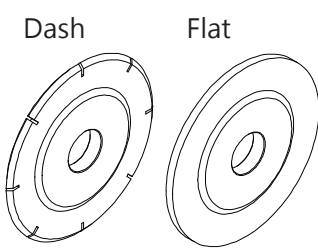
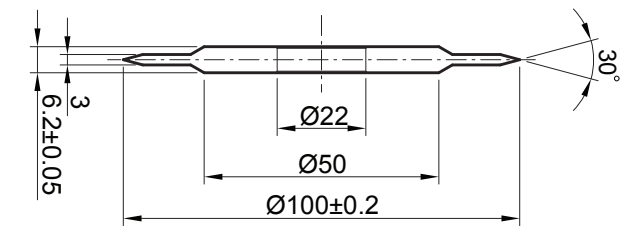
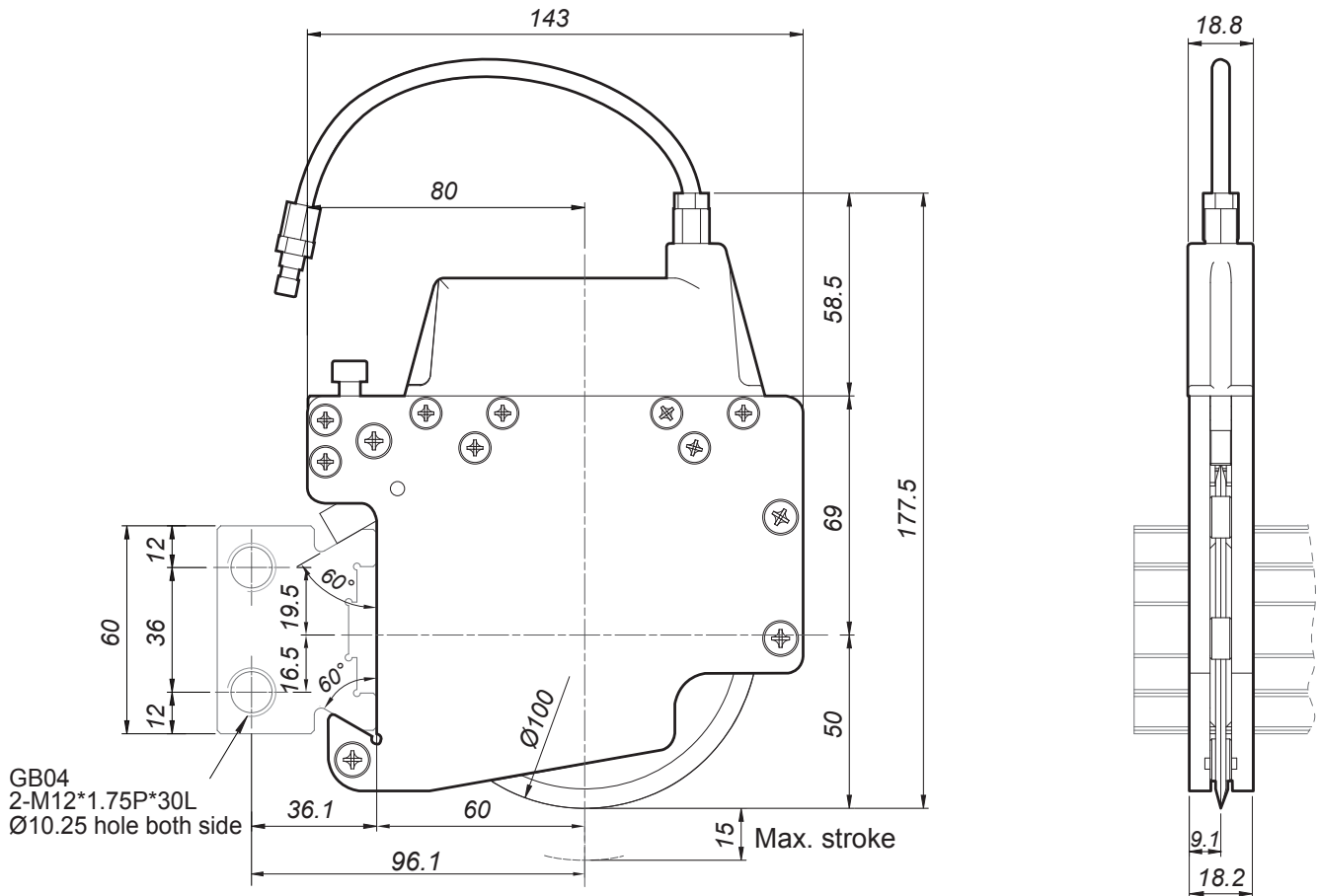
» Specification

- Min. slitting width : 19mm
- Max. slitting speed : 250M/min (1)
- Down stroke range : 0~15mm
- Max. air pressure : 6kg/cm²
- Blade dia. : ø100mm
- Guide-bar : GB01/GB02/GB04

(1) Max slitting speed depends on different material and the condition will be changed.



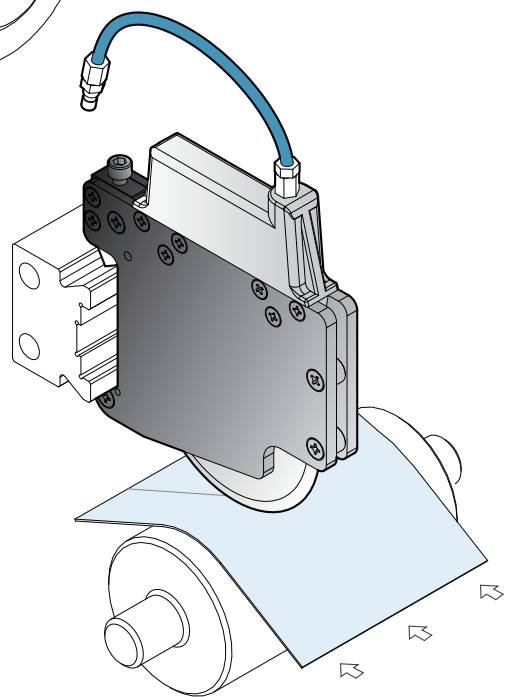
MT-A170 Dimension drawing



Product code	Material	Hardness
BS-K-100-022-062-D30	SKD-11	HRC60°~62°

Slitting Products Available:

Various Papers	kraft paper, silicone paper, releasing paper, decoration wall paper, masking paper, adhesive paper, thick paper board, corrugated carton paper, sand paper.
Various Plastic films	flexible laminated films, soft & rigid PVC films, BOPP, PET, PE, PS, LDPE, PLA, SBS, various adhesive tape...etc.
Cloth & fabrics	non-woven cloth, synthetic leather, natural cotton, mesh cloth, medical cloth, label cloth...etc.
Foams	PSP foams, PE foams...etc.



MOTOKNIFE MT-A170



MOTO, TAIWAN
 32652 No.65 Lane 155, Xinjiang Rd.,
 Yangmei District, Taoyuan City, Taiwan
 TEL: +886-3-4753005
 FAX: +886-3-4754797
 E-mail: service@motoknife.com
 http://www.motoknife.com

MOTO, CHINA
 No.8 Zhang Jia Road, Huang Du Town,
 JiaDing Area, Shanghai, China
 TEL: +86-21-69596169
 FAX: +86-21-69596163
 E-mail: motokevin@126.com

