

Steel body Type

Pneumatic Score Knifeholder

MT-A160

MT-A160 features a compact dimension design, steel body frame and versatile application in the score knife-holder category. It is optimally suited to under 11mm width narrow slitting work.

Thanks to its CNC machining steel body frame, the excellent rigidity knife-holder not only offers absolutely outstanding performance in various material slitting jobs, but also enables lifetime extending.

The adaptive knife-holder can be installed with guide-bar GB01/GB02/GB04 accessories and replace different types of blades for multi-purpose application.

MT-A160 is perfectly suited to a wide range of slitting task such as light rubber, paper, cloth, plastic film...etc.

» Feature

- Min slitting width 11mm
- Rigidity knife-holder
- Steel body design
- Cost-effective
- Screw type fix method

» Specification

- Min. slitting width : 11mm
- Max. slitting speed : 100M/min (1)
- Down stroke range : 0~15mm
- Max. air pressure : 6kg/cm²
- Blade dia. : ø76.2mm
- Guide-bar : GB01/GB02/GB04

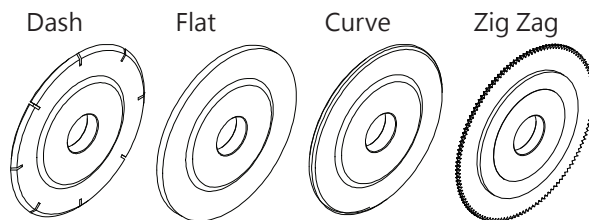
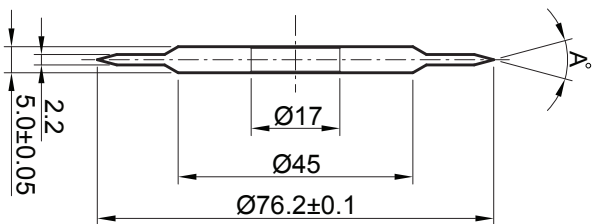
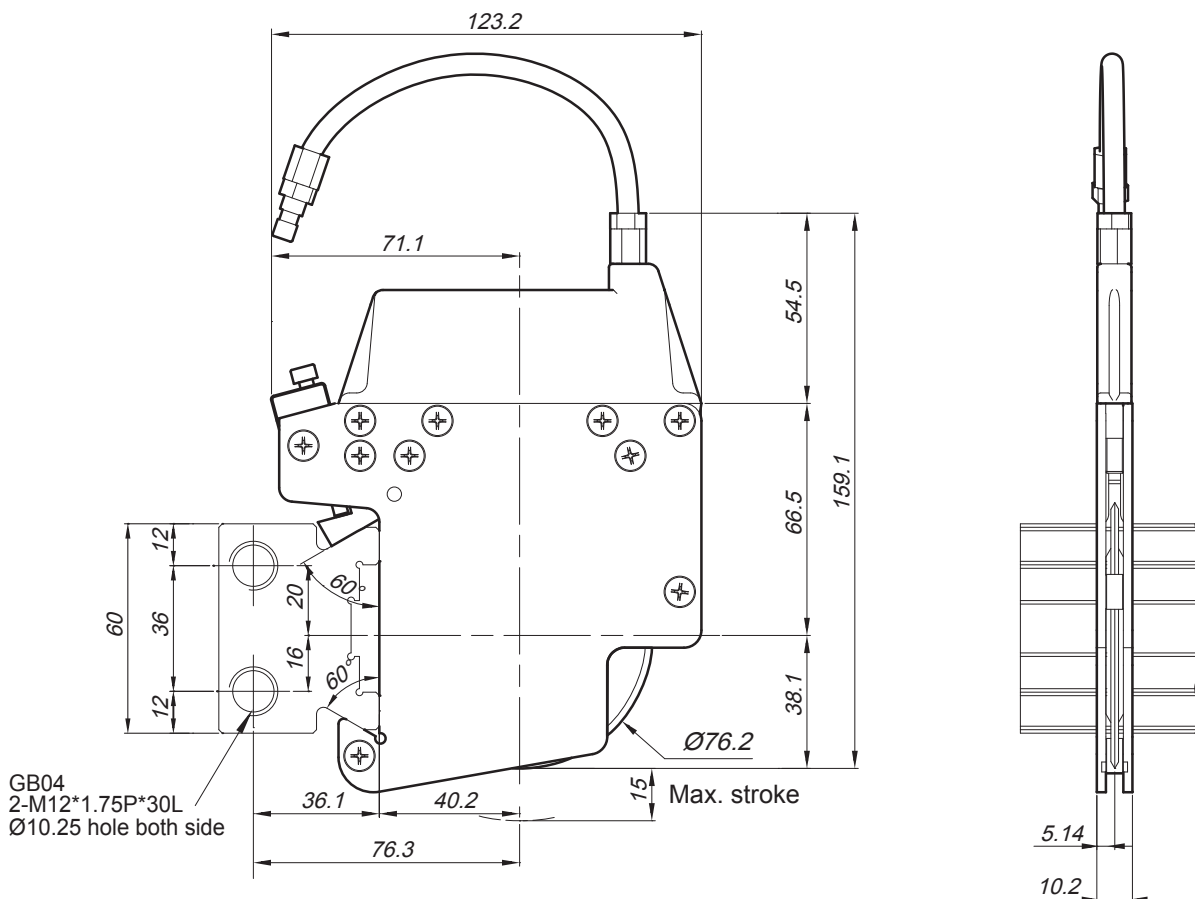
(1) Max slitting speed depends on different material and the condition will be changed.



MT-A160

MOTOKNIFE

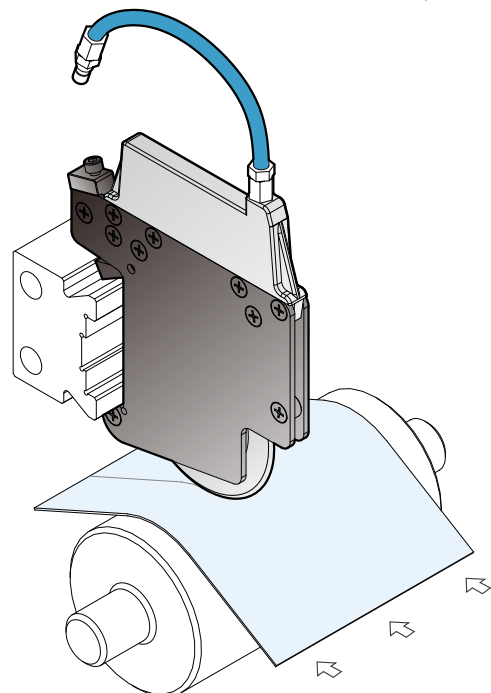
MT-A160 Dimension drawing



Product code	Material	Angle(A)	Hardness
BS-K-076-017-050-D30	SKD-11	30°	HRC60~62°
BS-K-076-017-050-D60		60°	

Slitting Products Available:

Various Papers	kraft paper, silicone paper, releasing paper, decoration wall paper, masking paper, adhesive paper, thick paper board, corrugated carton paper, sand paper.
Various Plastic films	flexible laminated films, soft & rigid PVC films, BOPP, PET, PE, PS, LDPE, PLA, SBS, various adhesive tape...etc.
Cloth & fabrics	non-woven cloth, synthetic leather, natural cotton, mesh cloth, medical cloth, label cloth...etc.
Foams	PSP foams, PE foams...etc.



MT-A160

MOTOKNIFE



SCORE KNIFEHOLDER
MODEL NO: MT-A160

MOTO, TAIWAN
32652 No.65 Lane 155, Xinjiang Rd.,
Yangmei District, Taoyuan City, Taiwan
TEL:+886-3-4753005
FAX:+886-3-4754797
E-mail:service@motoknife.com
http://www.motoknife.com

MOTO, CHINA
No.8 Zhang Jia Road, Huang Du Town,
JiaDing Area, Shanghai, China
TEL:+86-21-69596169
FAX:+86-21-69596163
E-mail:motokevin@126.com

