

Rugged Type

Pneumatic Score Knifeholder

MT-A140

MT-A140 Rugged type knife-holder is designed and optimized primarily for heavy thickness material slitting application. With its strong modular and thinness knife-holder that minimum slitting width only 19mm both satisfied narrow width and heavy slitting conditions. Exceptional rigidity capabilities make it can be accepted 8kg/cm² air pressure and provide stable down force to perform heavy thickness slitting job. Same as other crush knife-holder family, it can meet guide-bar GB01/GB02/GB04 accessories and replace different types of blade for multipurpose application.

The MT-A140 rugged knife-holder design make for high performance in a wide range of application as heavy rubber, paper, cloth, plastic film...etc..

» Feature

- Min slitting width 19mm
- Rigidity unibody knifeholder
- Stable down force provide
- Heavy material slitting
- Screw type fix method

» Specification

- Min. slitting width : 19mm
- Max. slitting speed : 100M/min (1)
- Down stroke range : 0~15mm
- Max. air pressure : 6kg/cm²
- Blade dia. : ø76.2mm
- Guide-bar : GB01/GB02/GB04

Patent Number
Taiwan 83675 /Germany 29500315.4 / Japan 3013675
China ZL93218144.9 / U.S.A. 5551328

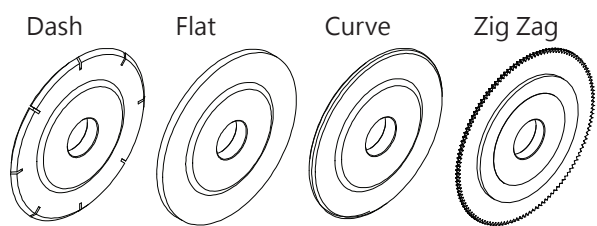
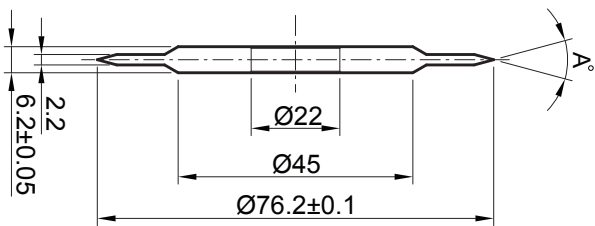
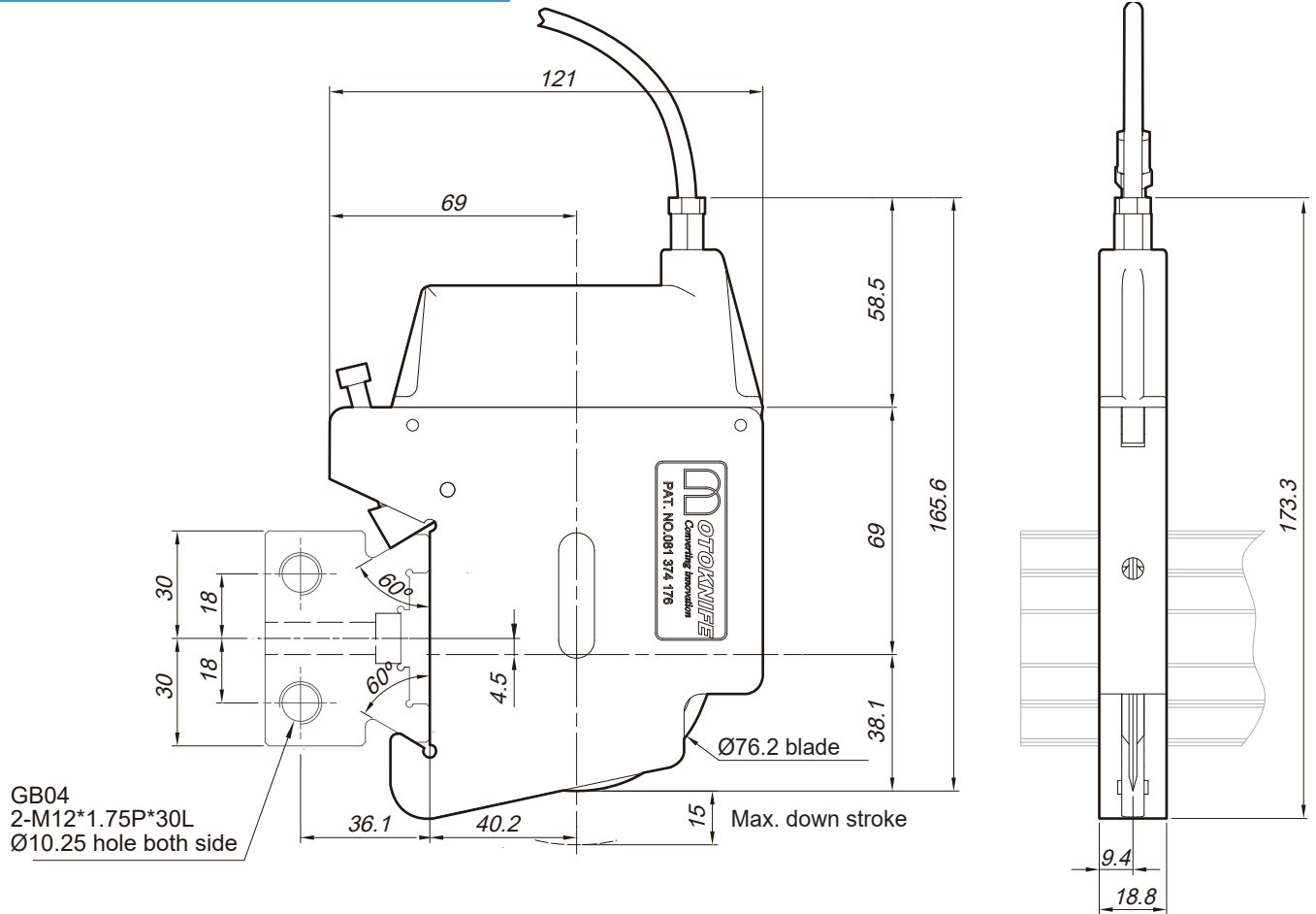
(1) Max slitting speed depends on different material and the condition will be changed.



MT-A140

MOTOKNIFE

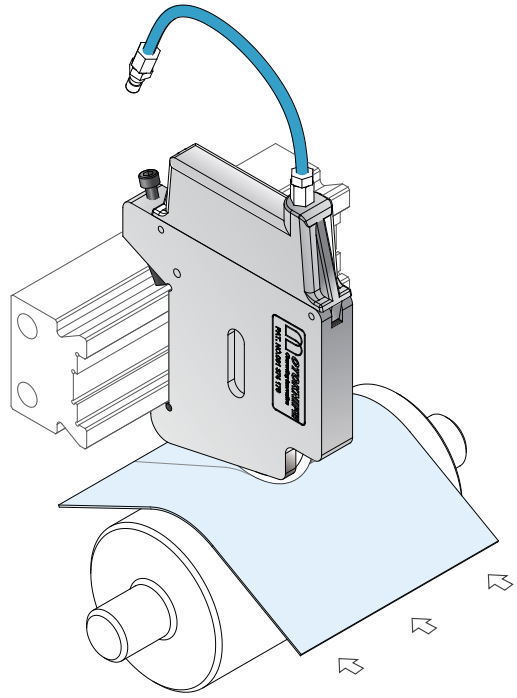
MT-A140 Dimension drawing



Product code	Material	Angle(A)	Hardness
BS-K-076-022-062-D30	SKD-11	30°	HRC60°~62°
BS-K-076-022-062-D60		60°	

Slitting Products Available:

Various Papers	kraft paper, silicone paper, releasing paper, decoration wall paper, masking paper, adhesive paper, thick paper board, corrugated carton paper, sand paper.
Various Plastic films	flexible laminated films, soft & rigid PVC films, BOPP, PET, PE, PS, LDPE, PLA, SBS, various adhesive tape...etc.
Cloth & fabrics	non-woven cloth, synthetic leather, natural cotton, mesh cloth, medical cloth, label cloth...etc.
Foams	PSP foams, PE foams...etc.



MOTOKNIFE

MT-A140



MOTO, TAIWAN
 32652 No.65 Lane 155, Xinjiang Rd.,
 Yangmei District, Taoyuan City, Taiwan
 TEL:+886-3-4753005
 FAX:+886-3-4754797
 E-mail:service@motoknife.com
 http://www.motoknife.com

MOTO, CHINA
 No.8 Zhang Jia Road, Huang Du Town,
 JiaDing Area, Shanghai, China
 TEL:+86-21-69596169
 FAX:+86-21-69596163
 E-mail:motokevin@126.com

