

Standard Type

Pneumatic Score Knifeholder

MT-A110

MT-A110 is one of the most versatile and flexible crush knife-holder for crush slitting. It works against the hardness anvil roller. Modular designed knife-holder has advantage of excellent rigidity which can accept 6kg/cm² air pressure and provide stable down force to perform various material slitting job. It can replace score blade/zig zag blade/k dash blade/wave blade for different slitting application. MT-A110 is using screw method to fix on guide-bar which is compatible with guide-bar GB01/GB02/GB04.

Because of its versatility, MT-A110 is widely used in light rubber, paper, cloth, plastic film...etc.

» Feature

- Min slitting width 12mm
- Unibody knifeholder
- Stable down force provide
- Economy model
- Screw type fix method

» Specification

- Min. slitting width : 12mm
- Max. slitting speed : 100M/min (1)
- Down stroke range : 0~15mm
- Max. air pressure : 6kg/cm²
- Blade dia. : ø76.2mm
- Guide-bar : GB01/GB02/GB04

Patent Number
Taiwan 83675 /Germany 29500315.4 / Japan 3013675
China ZL93218144.9 / U.S.A. 5551328

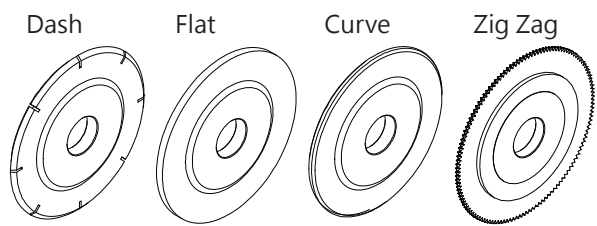
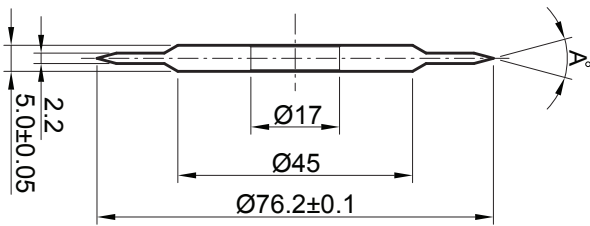
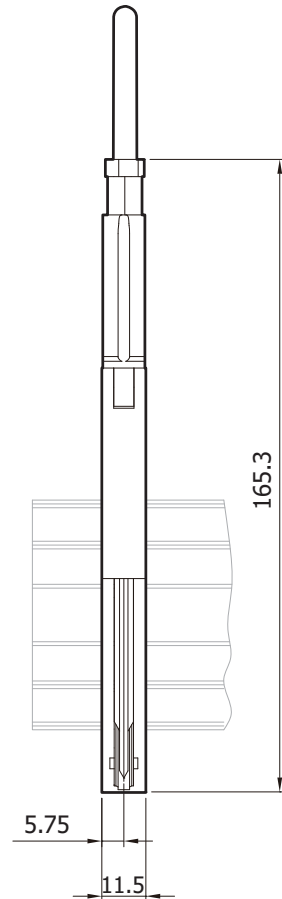
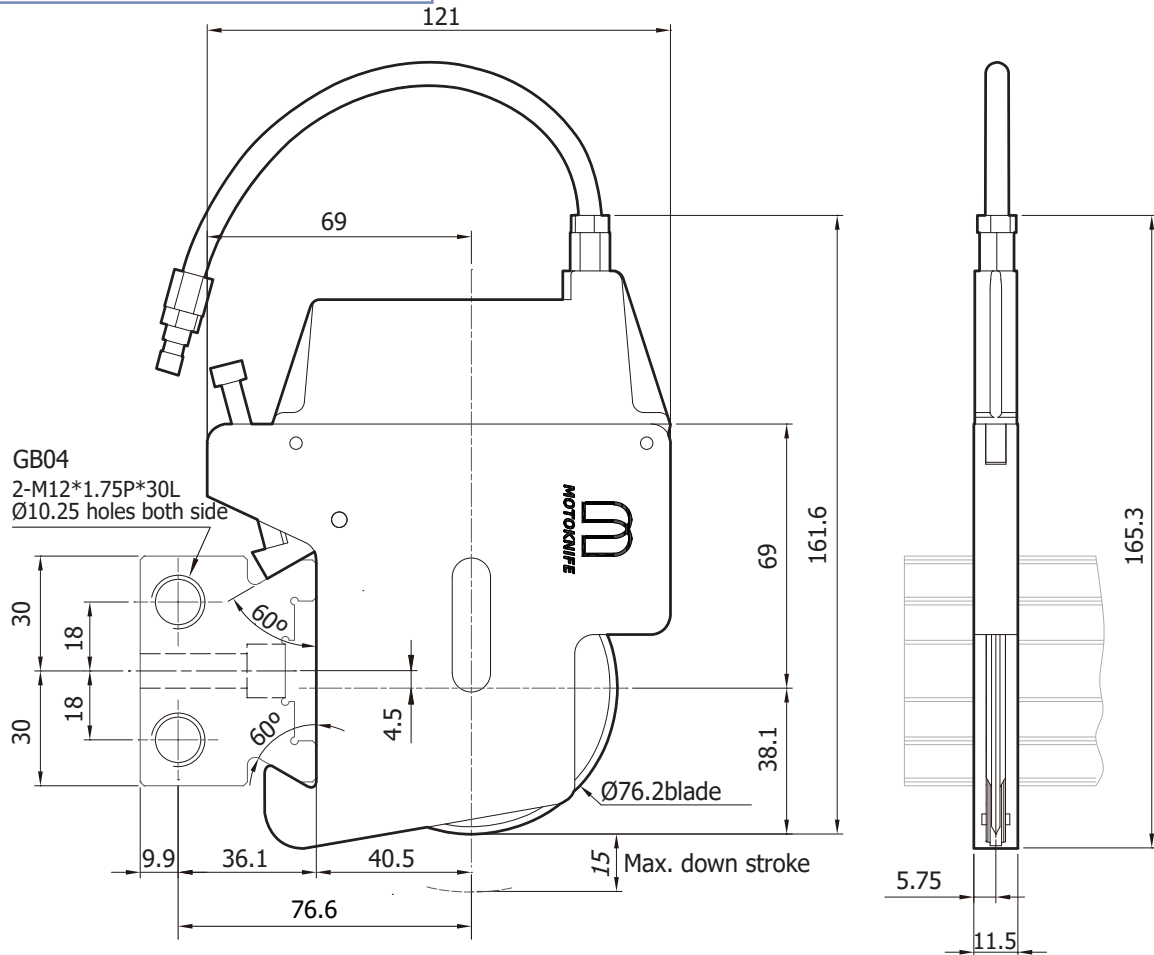
(1)Max slitting speed depends on different material and the condition will be changed.



MT-A110

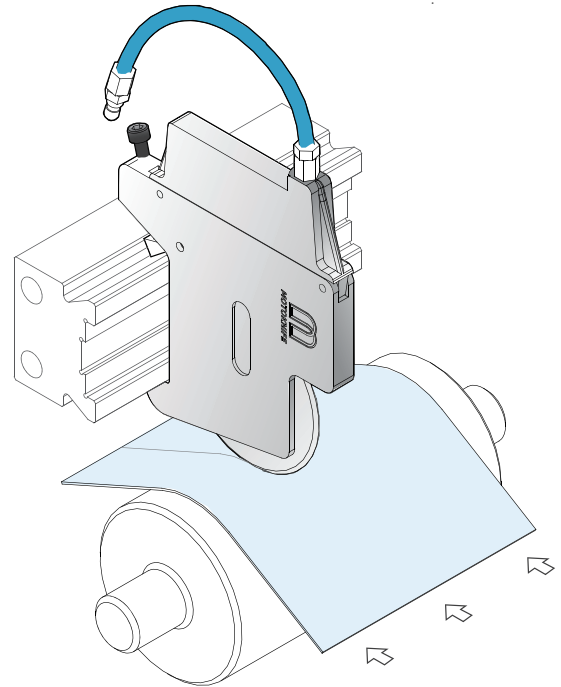
MOTOKNIFE

MT-A110 Dimension drawing



Product code	Material	Angle(A)	Hardness
BS-K-076-017-050-D30	SKD-11	30°	HRC60~62°
BS-K-076-017-050-D60		60°	

Various Papers	kraft paper, silicone paper, releasing paper, decoration wall paper, masking paper, adhesive paper, thick paper board, corrugated carton paper, sand paper.
Various Plastic films	flexible laminated films, soft & rigid PVC films, BOPP, PET, PE, PS, LDPE, PLA, SBS, various adhesive tape...etc.
Cloth & fabrics	non-woven cloth, synthetic leather, natural cotton, mesh cloth, medical cloth, label cloth...etc.
Foams	PSP foams, PE foams...etc.



MT-A110

MOTOKNIFE



MOTO INDUSTRIES CO., LTD.
32652 No.65 Lane 155, Xinjiang Rd.,
Yangmei District, Taoyuan City, Taiwan
TEL:+886-3-4753005
FAX:+886-3-4754797
E-mail:service@motoknife.com
http://www.motoknife.com

MOTO(SHANGHAI) MACHINERY CO., LTD.
No.240, Lane 2999 Baoangong Road,
Jiading District, Shanghai City, China
TEL:+86-21-69596169
FAX:+86-21-69596163
E-mail:motokevin@126.com

